

**Metropol**  
**Single-Hole Faucet 110 with Loop Handle and Pop-Up Drain, 0.5 GPM**  
 Surface: **chrome** Part no. : **74524001**



**Description**

**Features**

- Spray modes: Aerated spray
- Flow: 0.5 GPM (1.9 L/Min)
- Ceramic cartridge
- Includes pop-up drain

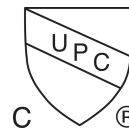
**Item details**

List Price \$ 523.00

**Technology**



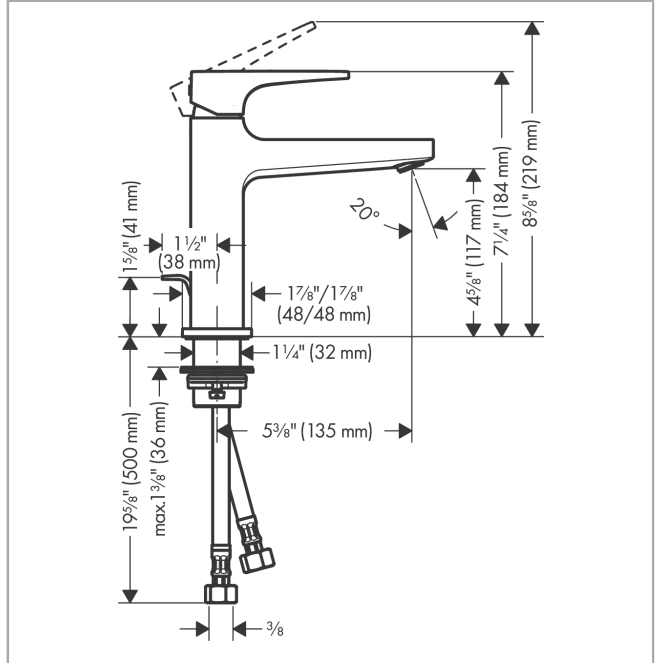
**Compliance**



**Product image**



**Scale drawing**

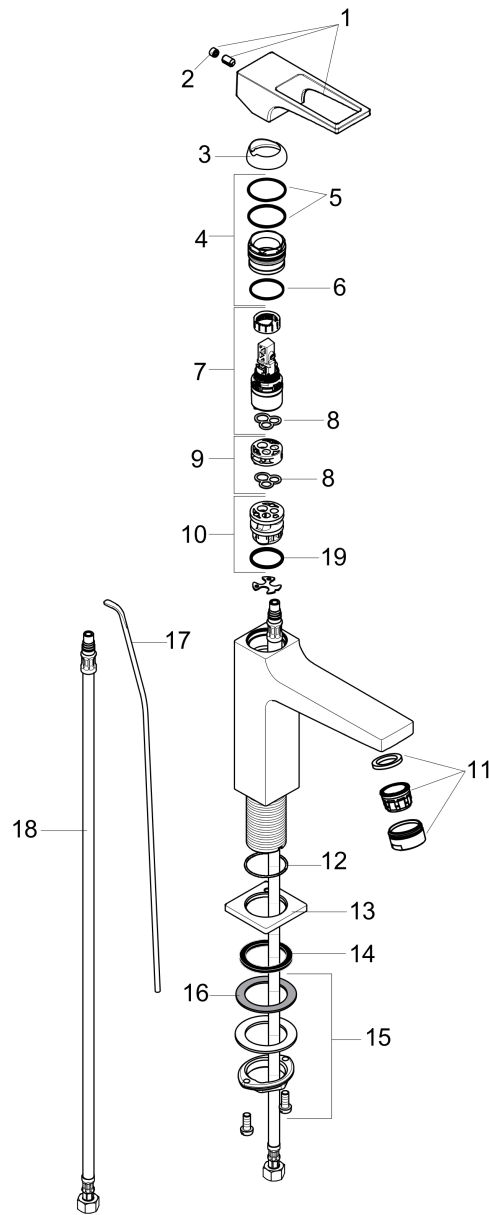


**Metropol**  
**Single-Hole Faucet 110 with Loop Handle and Pop-Up Drain, 0.5 GPM**  
 Surface: **chrome** Part no. : **74524001**



**Exploded drawing**

Year of production: >10/19



## Metropol

**Single-Hole Faucet 110 with Loop Handle and Pop-Up Drain, 0.5 GPM**

Surface: **chrome** Part no. : **74524001**



### Spare parts list

Year of production: >10/19

Pos.	Description	Part no.	Price	PU
1	handle	93009000	-	1
2	screw cover	95704000	-	1
3	flange	92625000	-	1
4	nut	92689000	-	1
5	O-ring 27x1,5	92527000	-	1
6	O-ring 25x1,5	98146000	-	1
7	cartridge, assy	95973001	-	1
8	seal	98865000	-	1
9	adapter for cartridge	92628000	-	1
10	adapter for cartridge	98866000	-	1
11	aerator M24x1 (1,9 l/min)	92300000	-	1
12	O-ring 32x1,5	92936000	-	1
13	escutcheon	93048000	-	1
14	flat seal	98749000	-	1
15	fixing set (Ø 32)	13961000	-	1
16	lever collar	97548000	-	1
17	pull rod	96657000	-	1
18	connection hose 23½" M8x0,75 3/8"	98600001	-	1
19	O-ring 23x2	98398000	-	1
a	pop up waste	88509000	-	1
b	O-ring 7x1,5	98422000	-	1
c	hollow set screw M6x10 DIN 916	96029000	-	1